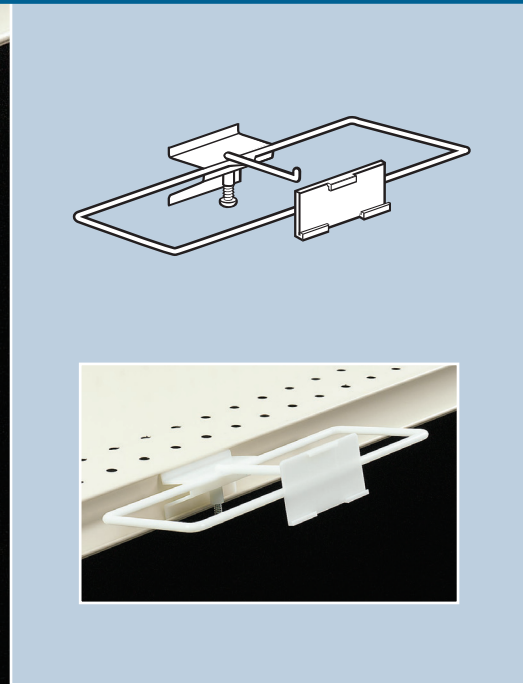


Plastic Guarded J-Hook with Channel Mount



Features and Benefits

- ◆ Economical plastic guard reduces theft, protects product and enhances safety
- ◆ Includes 3-32 Phillips head mounting screw to keep product securely in place
- ◆ Fits most standard shelves with 1.25" H channels
- ◆ 3" L guard has 2." L hook; 4" L guard has 3.125" L hook
- ◆ Scan Plate holds 1.25" H x 2.5" L adhesive labels
- ◆ Natural acetal

Add extra selling space instantly

Drive impulse sales, while protecting against theft and enhancing safety with the Plastic Guarded J-Hook with Channel Mount. Neat, boxed-in design reduces loss due to "sweeping," while providing a built-in buffer to protect customers and staff. Plastic construction is ideal for lighter weight product.

Specifications

Item No.	Ref. No.	Dimensions	Finish	Pack
7206654201	-	3" L	Natural	1
7206654202	R43-GSJ	4" L	Natural	1

Additional colors can be made to order (minimum quantities apply.)

20190218

For more information,
call **800.422.2547**
or visit www.siffron.com

siffron[™]
always on